

# Staticmaster® Ionizing Fan



TECHNOLOGY  
& LAB



INDUSTRIAL

MODEL NUMBER 4060

ALPHA



The Staticmaster Ionizing Fan Model 4060 is ideal for use where a **compact, lightweight and highly reliable source** of ions is needed for static control.

Designed to remove static charges that can't be controlled by conductive grounding materials, this Ionizing Fan delivers an **even, gentle flow of balanced, ionized air**. These air ions are kept in continuous balance by the unit's internal alpha-energy source.

The Model 4060 will not interfere with microprocessor-based controls or static-sensitive electronic components and requires no calibration.

**The Ionizing Fan Model 4060 has an adjustable arm attachment** (Model ARM-002) so it can be positioned and locked for optimal use. When using the Model 4060, the ideal neutralization time for the target is when it's placed 12" to 48" directly in front of the ionizing fan and increases as the distance increases.

## APPLICATIONS

- Cleanroom, bench-top electronic assembly, dispensing, medical device assembly

## FEATURES

- Small, lightweight and portable design
- Small footprint
- Repositionable construction

## BENEFITS

- Fits easily into small bench-top spaces
- Can be directed from close proximity
- User confidence in reliable ion delivery
- Creates low airflow for minimal disruption
- No calibration of ion sources
- No emitter points to clean

EVERY SITUATION IS UNIQUE. SO IS EVERY SOLUTION.™

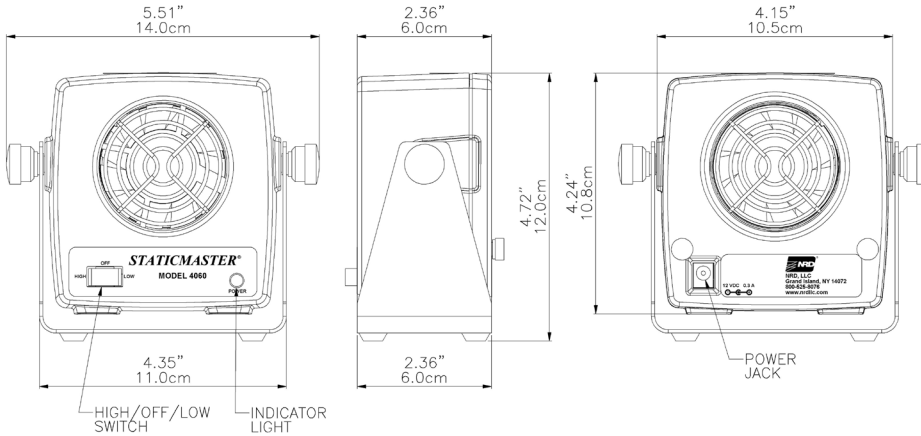


# Staticmaster® Ionizing Fan

MODEL NUMBER 4060

ALPHA

## SCHEMATICS



## SPECIFICATIONS

**Activity:** 2 mCi (74 MBq) (4060R-400 ionizer set)

**Airflow:** Low speed, 155.8 CFM (5.5 L/s); High speed 211.6 CFM (7.47 L/s)

**Dimensions:** 2.36in W x 4.72in H x 5.51in L (60 mm x 120 mm x 140 mm)

**Enclosure:** ABS, metal base

**Fan Flow Rating:** 29.2 CFM (0.01 m3/s)

**Operating Voltage:** 12 V DC

**Power Supply Input Voltage:** 120 V AC

**Technology:** Alpha

**Weight:** 1.2 lbs. (0.5 kg)

**DECAY RATE:** 2.5 seconds ( $\pm 1000$  to 100V), ANSI/ESD Association STM 3.1 @ 1 foot, center

## ACCESSORIES



**Ionizing Cartridge, 1" (500 Microcuries)**  
Model 1U400 (4)



**Articulated Arm**  
Model ARM-002

## MAINTENANCE

Product is supplied complete with ionizers. It is necessary to replace ionizers every 12 months to maintain peak effectiveness.

**NOTE ON ION SOURCE:** All NRD ion sources are encapsulated in precious metals by means of a special patented process. This results in a static eliminator which, unlike competitive products, resists oxidation, solvents, heat, cold and vibration.

**NOTICE:** NRD expressly warrants that, for a period of one (1) year from the time of purchase, the ionizer will be free of defects in material (parts) and workmanship (labor).

**NRD, LLC USA**  
800-525-8076  
716-773-7634  
Sales@NRDUSA.com  
2937 Alt Boulevard  
PO Box 310  
Grand Island, NY  
14072-0310 USA

**NRD Asia Pte. Ltd.**  
+65 6679 1707  
Sales@NRDAsia.com  
114 Lavender Street  
#08-90 CT Hub 2  
Singapore 338729

To learn more, contact an NRD representative for a consultation at **1-800-525-8076** or visit **nrdstaticcontrol.com**.

