

Staticmaster Ionizing Cartridges (1U400 and 2U500)

The Staticmaster® 1" and 3" Ionizing Cartridges are self-powered static eliminators that eliminate the problem of "fly-away" powders and inaccurate measurements in precision weighing applications by utilizing proven alpha ionizing technology. These devices can be easily mounted within the balance chamber, assuring quick and accurate measurements. They can also be used as an ion source in the 4068 Mini-Fan ionizer and with the 5060 Grounding Kit.



SPECIFICATIONS

Material: 302 Stainless steel housing and grid

Weight: 0.2 oz. (5.7.g)

Isotope: Polonium-210

Emission: Alpha

Activity: 500 μ Ci

Optimum Range: 0.5" to 1.5"

COMPATIBLE WITH

Grounding Kit Model 5060

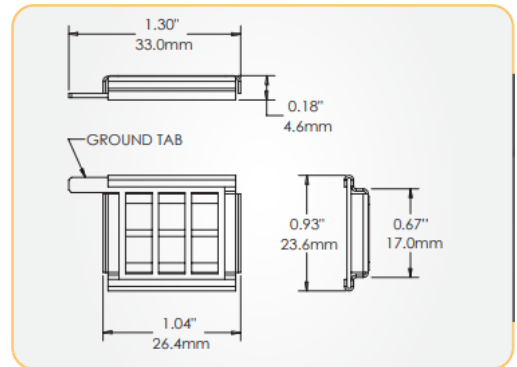
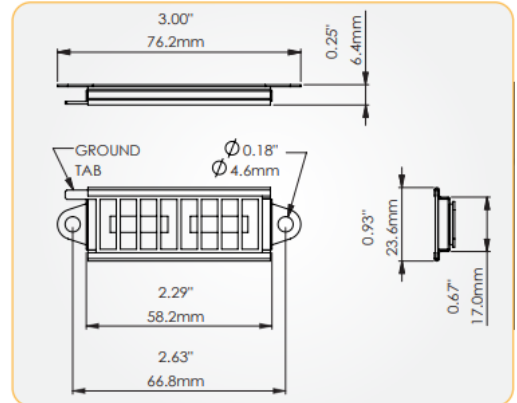
1" EX Mount Model BF4

3" EZ Mount Model BF3

Mini-Fan Ionizer Model 4068

Staticmaster Ionizing Cartridges (1U400 and 2U500)

The 2U500 and 1U400 ionizing cartridges are a small profile, making them an ideal solution for in-balance static elimination. These small profile ionizers offer zero-volts balance technology, which means that they can effectively remove all of the static charge present in your media and samples. This ensure accurate weighing every time.



EZ Mounts

An indispensable accessory for mounting a 2U500 or 1U400 cartridge in a balance chamber. Simply remove the protective layer of tape and affix the EZ Mount to the back wall of the chamber. Once the mount is attached, changing ionizing cartridges is fast and easy.



5060 Grounding Kit

Significantly enhances the static eliminating power of the ionizing cartridges. Extensive testing has shown that adding the grounding kit to your in-balance ionizer can increase the performance of the static eliminator.

