

Staticmaster® Alphaboost™ Static Control System for Precision Weighing

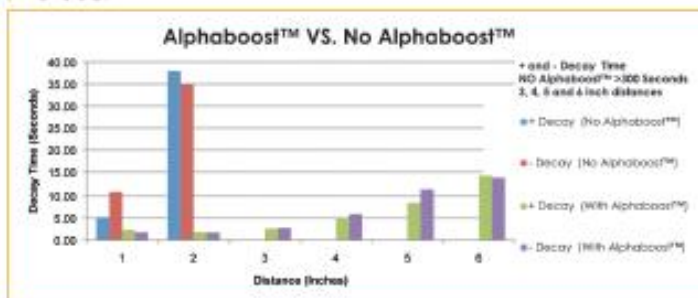


The Alphaboost™ Static Control System (ABS) for analytical balances represents the first departure from conventional static control technology in the last 25 years. Using the unique properties of NRD's Staticmaster® 2U500 ionizing cartridge and a small deflection voltage from the controller, the ABS completely fills draft shield enclosures with static eliminating ionized air molecules.

Unlike corona style ionizers offered on some precision weighing equipment, Alphaboost™ does not generate Nano-particles, does not accumulate airborne molecular contamination, does not have emitter points to erode, and does not require frequent cleaning or re-balancing.

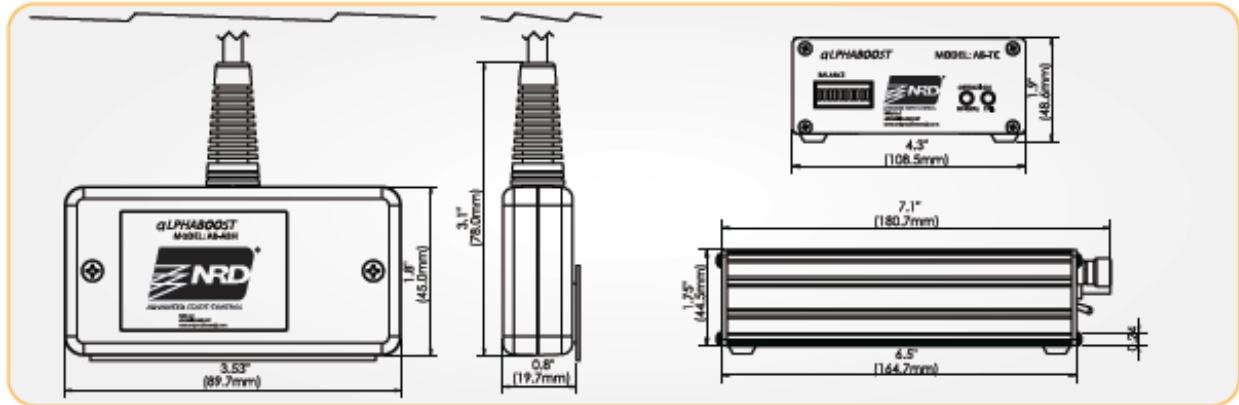
Alphaboost™ is ideal for use in critical weighing applications where precise measurement (in the sub-milligram range) is essential. It is the first aftermarket product that provides the ability to ionize the entire draft shield enclosure without the need to mount a bulky power source and controller within the draft shield enclosure.

The Base Kit comes complete with one (1) 2U500 Staticmaster® ionizing cartridge, one (1) BF3 EZ Mount, one (1) head and one (1) controller, preset for ease of setup and use.



Distance (Inches)	No Alphaboost™		With Alphaboost™	
	+ Decay Time (Seconds)	- Decay Time (Seconds)	+ Decay Time (Seconds)	- Decay Time (Seconds)
6.00	>300	>300	14.19	13.66
5.00	>300	>300	8.46	11.55
4.00	>300	>300	4.81	5.90
3.00	>300	>300	2.62	2.79
2.00	37.98	35.05	1.78	1.71
1.00	5.21	10.94	2.30	1.74

The Alphaboo™ Static Control System for Precision Weighing (Model AB-TC)



Alphaboo™ Model AB-TC Specifications

Ionization Source: Staticmaster 2U500 Ionization Cartridge utilizing a 500 µCi activity Po-210 source. This cartridge when used with the Alphaboo™ system will provide up to 12 months of full ionization performance.

Power Requirements: The Alphaboo™ Controller operates on 24V DC, <200 mA (Provided by 100-200 V inline power supply).

Model 2U500 Specifications

MATERIAL: Stainless steel housing, aluminum grid

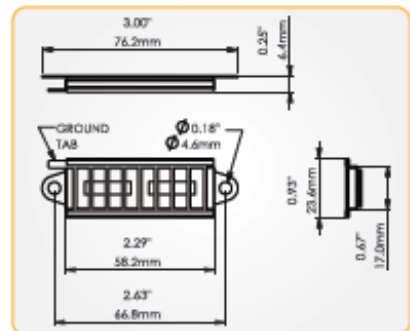
WEIGHT: 0.4 oz. (11.3g)

ISOTOPE: Polonium-210

EMISSION: Alpha

ACTIVITY: 500 µCi

OPTIMUM RANGE: 0.5" to 1.5"



Alphaboo™ Accessories

Alphaboo™ Single Balance Extender Kit (Model AB-TC-1)



One Alphaboo™ controller can power up to four (4) heads using the 4-1 Splitter (sold separately).

Note on Ion Source

All NRD ion sources are encapsulated in precious metals by means of a patented process. This results in a static eliminator which resists oxidation, solvents, heat, cold and vibration. To maintain peak performance, NRD recommends annual replacement of ionizing cartridges.



To attach additional balances to the main controller, an Alphaboo™ Extender Kit is needed. The ABS Extender Kit includes one (1) head with a 2-meter cable, one (1) 2U500 ionizing cartridge and 1 (one) BF3 EZ Mount.